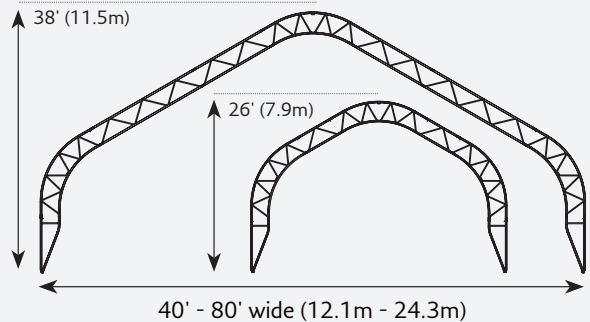


NORSEMAN STRUCTURES IS UNRELENTING IN MEETING ENGINEERING CHALLENGES

Commercial Product Line T-Series



MODEL	T400	T500	T600	T700	T800
Bldg Width	40' (12.1m)	50' (15.2m)	60' (18.2m)	70' (21.3m)	80' (24.3m)
Peak Height*	26' (7.9m)	29' (8.8m)	32' (9.7m)	35' (10.6m)	38' (11.5m)

*Approximate peak heights

TRUSS SPACING

Truss spacing is available in 5' - 20' (1.5m - 6.0m) widths in 1' (0.3m) increments and is determined using data specific to your site.

T-SERIES 40' - 80' WIDTHS (12.1m - 24.3m)

Buildings designed for large industrial and commercial applications.

T-Series buildings provide tremendous strength and durability in a clear-span space designed to meet the needs of large industrial and commercial operations. The high side wall design allows for highly efficient use of floor space.

It is important to know that all Norseman Structures Commercial buildings are designed using the same building codes as conventional, pre-engineered steel buildings. They are available worldwide and designed in accordance with structural requirements of the International Building Code and the National Building Code of Canada.

- High side wall design allows you to store racking and materials against the side of the building maximizing use of floor space.
- 6', 12' & 18' (1.8m, 3.6m & 5.4m) leg extensions are available for even more side wall height and clearance.
- Buildings are designed for permanent use but can also be moved and reassembled where they are needed most.
- Clear-span design with no interior columns to interfere with your business's operations.



Fiercely Reliable™

1.855.385.2782 norsemanstructures.com

Commercial Product Line T-Series

STEEL FRAMEWORK

Norseman Structures' T-Series buildings' framework is heavy-duty, in-line galvanized steel which is triple coated, starting with a thick layer of protective molten zinc. A conversion coating bath provides another layer of corrosion protection, followed by a clear organic coating to seal the steel surface and provide a smooth finish. The interior of the steel tube is then painted with zinc enriched paint. Overall, the in-line galvanizing process provides a finished product with exceptional mechanical and corrosion resistant properties.

FABRIC COVERS

Our standard 12oz/yd², 23mil high performance cover fabric is manufactured specifically for your building and is available in a variety of colors. Fire retardant (FR) fabric is also available when required by your local building code. You can choose from either a highly translucent cover material or blackout fabric which is also available when natural light is not required.

Standard Colors



Fire Retardant (FR) Colors



FOUNDATIONS

Foundation options are varied and may include, but are not limited to:

- Concrete piles
- Concrete spread footings
- Poured in place concrete walls
- Precast concrete walls
- Precast concrete blocks
- Thickened edge concrete pad
- Screw piles
- Shipping containers (select widths)

ACCESSORIES

- Heating
- Reflective insulation
- Liners
- Insulation
- Flooring
- Passive ventilation
- Air exchange units
- Electric louvers or fans
- Ridge vents
- Electrical
- Personnel doors
- Fire exit doors
- Emergency lighting
- Metal clad end walls
- Gas detection systems
- Overhead doors
- Door canopies

WHY NORSEMAN STRUCTURES

In addition to manufacturing buildings, Norseman Structures provides project management, technical representative services and complete building installations. Our team of experts will work closely with you to design a building solution that will work for you and your business.



1.855.385.2782 norsemanstructures.com

0372-16 Norseman, Norseman & Design and Fiercely Reliable are trademarks of Norseman Group Ltd.



Fiercely Reliable™